

# Evolve ShowerStart® Express 1.75 GPM Multifunction Showerhead

EV3829-CP175-SB

## OVERVIEW

Say hello to faster hot water and a better shower. With this Evolve ShowerStart® Express 1.75 GPM Multifunction Showerhead, your shower gets hot up-to 3X faster. You'll also enjoy great feeling high-pressure sprays, more convenience and freedom during your get-ready-routine, and lower utility bills. This multifunction showerhead, with integrated ShowerStart® Express technology, works by cleverly speeding hot water delivery and then conveniently saving the hot water that's unintentionally used while you're waiting for your shower to get warm.

## FEATURES

- Fast Hot Water**  
 Speeds hot water delivery so your shower gets warm quickly, up-to 3X faster than regular showerheads.
- Warm, High-Pressure Sprays**  
 Delivers uniform flow and great feeling sprays (full body, massage, and soap-up pause) in both high and lower water pressure homes for luxurious, warm, and soothing showering experiences.
- Hot Water Standby**  
 Stops empty showers from running on-and-on by auto-pausing flow when hot water arrives.
- Enjoy More. Use Less.™**  
 No sacrifices or behavior changes required. Saves water and energy used before showering begins.
- Redirect Flow & Catch The Cold**  
 Use the included H2O Redirection Kit to route the shower's initial cold water around storage caddies or to collect it in a bucket for other uses around the home.



evolve™

## SPECIFICATIONS

MODEL #	DESCRIPTION	FLOW RATE	SPRAY PATTERNS	FINISH
EV3829-CP175-SB	Showerstart® Express Multifunction Showerhead	1.75 GPM	Full Body Massage Soap-Up Pause	Chrome



Certified by IAPMO R&T  
 Certified to ASME A112.18.1 / CSA B125.1



# Evolve ShowerStart® Express 1.75 GPM Multifunction Showerhead

EV3829-CP175-SB

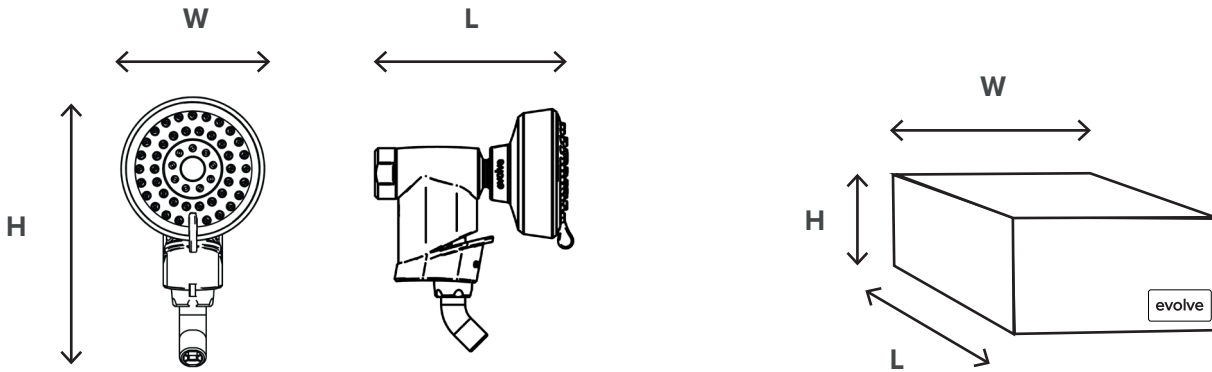
**evolve**™

Enjoy More. Use Less.™

## SPECIFICATIONS

MODEL #	FLOW RATE	THREAD TYPE	INCLUDES OPTIONAL PULL CORD	INCLUDES H2O REDIRECTION KIT	TOOL-FREE INSTALLATION
EV3829-CP175-SB	1.75 GPM	1/2" NPT	Yes	Yes	Yes

## DIMENSIONS



## PRODUCT

MODEL #	L	W	H
EV3829-CP175-SB	4.9"	3.3"	6.2"

## CASE

MODEL #	L	W	H	CASE QTY.	GROSS WT.
EV3829-CP175-SB	15.4"	14"	17.7"	16	17.9 lbs

## 3 YEAR WARRANTY



AM Conservation warrants that this product is free from defects in material and workmanship for the 3 years of the product from the date of the first purchase or the original distribution of the product under an energy conservation program, subject to the proper installation and/or use of the product. For full standard limited product warranty, please visit [amconservation.com/warranties](http://amconservation.com/warranties).

**For warranty claims, please contact:**  
customer@amconservation.com

**To learn more, please visit:**  
[www.amconservation.com](http://www.amconservation.com)